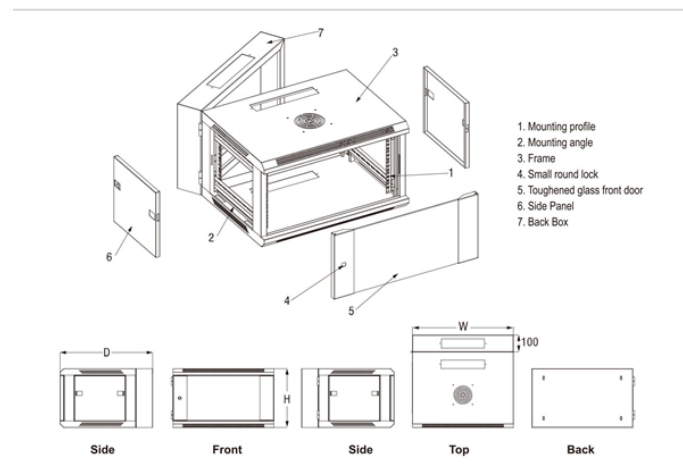


Afraid to approach the electrical distribution box



Overview

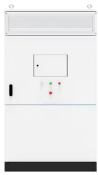
Specific measures include: strictly follow the specifications for the installation and layout of the distribution box; strengthen electrical connection and grounding inspections to ensure that the wiring is firm and the grounding is good; regularly clean and inspect the. Specific measures include: strictly follow the specifications for the installation and layout of the distribution box; strengthen electrical connection and grounding inspections to ensure that the wiring is firm and the grounding is good; regularly clean and inspect the. Distribution boxes are the unsung heroes of our electrical systems, quietly managing power until something goes wrong. When they start tripping, overheating, or making strange noises, it's more than just an inconvenience - it's your home's cry for help. In this guide, we'll walk through these. This is where the electrical distribution box steps in. Also known as a distribution board or breaker panel, it acts as the control hub, distributing power to different circuits and protecting them from overloads and faults. Whether you're a homeowner looking to understand your electrical setup, an electrician seeking comprehensive guidance, or a facility manager planning an upgrade, understanding distribution boxes is vital for electrical safety and efficiency.

Test the Circuit When devices in your new box don't work, you start by testing the circuit. Understanding its significance.

Afraid to approach the electrical distribution box



If you just installed your own new electrical box, and things aren't working properly, it's not fun. The good news is that most issues are easy to troubleshoot, especially if you follow the steps ...



Homeowners interact with the panel most often when a circuit breaker trips, interrupting an electrical fault. Before touching the panel, ensure your hands and the surface you are standing on ...



Consult with qualified electrical professionals to ensure your distribution boxes meet current standards and can accommodate future needs. Your proactive approach to electrical ...



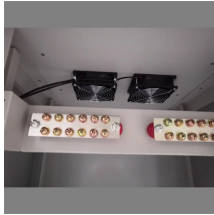
Find out how to properly wire an electrical panel box with a comprehensive diagram and step-by-step instructions.



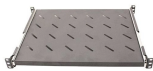
In summary, the distribution box may encounter a variety of problems during operation, which not only affect the normal operation of the power system, but also may bring safety hazards.



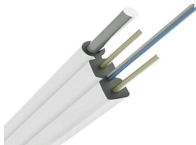
Reliable cable distribution boxes ensure safe, efficient power management for residential, commercial, and industrial systems. Learn installation and safety tips.



Installing an electrical DB box requires a methodical approach to ensure safety and functionality. The following step-by-step guide provides a comprehensive overview of the installation process, but it's ...



Distribution boxes are the unsung heroes of our electrical systems, quietly managing power until something goes wrong. When they start tripping, overheating, or making strange noises, it's more ...



Understanding its significance, this article covers what a distribution box is, how it functions, its structure, the various types available, and how it differs from other electrical boxes like ...



Discover everything you need to know about electrical distribution box! Learn about types, components, and how to choose.

Contact Us

For more information, pricing, or custom energy solutions, please contact us:

Website: <https://gdroofing.co.za>

Email: sales@gdroofing.co.za

Phone: +27 72 418 9365

Address: 22 Electron Avenue, Isando, Johannesburg, 1600, South Africa

This document is for informational purposes only. Specifications subject to change without notice.

