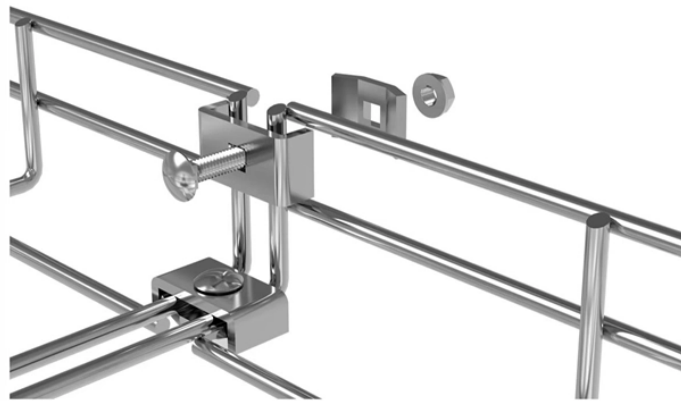


Direct Sales of Cable Tray Manufacturers in Eastern Europe

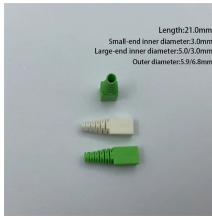


Overview

415 suppliers for cable tray Manufacturer/Producer ✓ Find wholesalers and contact them directly ✓ B2B marketplace ► Find companies now! 415 suppliers for cable tray Manufacturer/Producer ✓ Find wholesalers and contact them directly ✓ B2B marketplace ► Find companies now! As CAN KANAL CABLE TRAY SYSTEMS, we are one of the leading manufacturers of metal cable trays, ladders, and trunking systems in Turkey since 2015. CAN KANAL continues its business activities. Bürklin - High-Service Distribution of Electronic Components Since 1954, the family-owned company Bürklin. Cable tray is a system used to safely carry and protect electrical cables along pathways planned specifically for building and facility installations. Mechanical Support Systems New! Cable trays, In order to transport and protect electrical cables in a safe way, in accordance with the weight and. DKC is a European leader, and offers a comprehensive range of cable tray systems and energy protection, transport and distribution solutions for civil and industrial infrastructures. I hereby consent to the processing of my personal data in accordance with EU Regulation no. (Read the. Clear cable routing - Organized and safe cable management, easy maintenance, helps prevent failures. Our

product range includes stainless steel cable trays, galvanised cable trays, and wire cable trays, available in multiple cable tray types —. Strong in production, optimisation and consulting for cable support systems Trayco's solar shelter kits: assemble your PV inverters at lightning speed! Discover the new Trayco catalogue! Request your new product catalogue and dive into our extensive range of cable support systems! Get more info on.

Direct Sales of Cable Tray Manufacturers in Eastern Europe



Expert in support structures for cables and electrical appliances, NIEDAX is France's preferred supplier of equipment systems for mechanical and electro-magnetic protection.



We are a manufacturer of customized wire mesh that meets your exact specifications and requirements. Our focus is on providing you with economically optimal solutions.



The company was founded in 1982 as a supplier of electrical installation products to the Middle and Far East markets and now operates primarily in the UK and European Union.



We specialize in manufacturing wire mesh cable trays, supports, and accessories. Our expertise and experience have allowed us to accumulate valuable technical knowledge, which is reflected in the ...



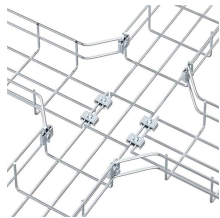
Cable trays, In order to transport and protect electrical cables in a safe way, in accordance with the weight and width of the cable ...



Cable trays for industrial and marine use. Includes distribution trays, cable routes and NATO-type models. Request a quote directly via our webshop.



Trayco is specialised in producing and optimising 100% Belgian cable trays, mesh trays, cable ladders, mounting and floor systems. We also play an important role as advisor and guide during the ...



DKC is a European leader, and offers a comprehensive range of cable tray systems and energy protection, transport and distribution solutions for civil and industrial infrastructures.



Spina Group designs and manufactures a complete range of cable trays brackets, supports, and hardware components to ensure fast, safe, and durable installation of cable management systems.



Discover a comprehensive range of high-quality cable trays and cable ladders at ekabel24 - the reliable choice for safe, organized, and standards-compliant routing of power, data, and control cables.

Contact Us

For more information, pricing, or custom energy solutions, please contact us:

Website: <https://gdroofing.co.za>

Email: sales@gdroofing.co.za

Phone: +27 72 418 9365

Address: 22 Electron Avenue, Isando, Johannesburg, 1600, South Africa

This document is for informational purposes only. Specifications subject to change without notice.

