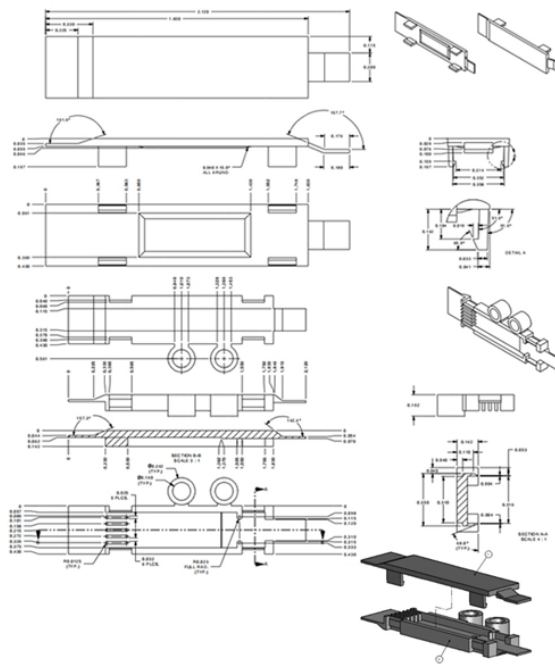


Fu-51tz Fiber Optic Sensor Setup



Overview

5 mm optical axis, enabling detection of extremely small targets with high accuracy and precision. Features a minimum bend radius of just 2 mm, providing excellent flexibility for routing in tight or complex installations.

*Please note that accessories depicted in the image are for illustrative purposes only and may not be included with the product. *1 For details on the detecting distance, see the fiber amplifier catalog.



Fu-51tz Fiber Optic Sensor Setup



Models in FU series by KEYENCE America: Fiber unit, Lens, Optional parts.



With the addition of the new array sensor, the FU Series can now be used in an even wider range of applications. Simplifies setup and helps reduce installation time. Thin sleeve, thru-beam type for use ...



At the heart of the FU-51TZ sensor is a fiber optic cable that transmits light signals through the material being measured. These signals are then detected by a photodetector, allowing for real-time data ...



Ideal for use where fiber optic movement is required. Sensor is encased in a PTFE case. Ideal for use under high temperatures. Withstands up to 662°F (350°C). Pipe attachment and direct contact liquid ...



*1 For details on the detecting distance, see the fibre amplifier catalogue. *2 The minimum detectable object is the value when the detecting distance and sensitivity have been set to their optimal state.



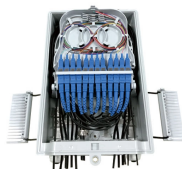
FU-51TZ, Fiber Unit Thrubeam type in FS-N40 series by KEYENCE America.



Fibre Unit Thrubeam type FU-51TZ *Please note that accessories depicted in the image are for illustrative purposes only and may not be included with the product.



FU 51TZ Datasheet - Free download as PDF File (.pdf), Text File (.txt) or read online for free. The FU-51TZ Fibre Unit Thrubeam type features a 0.5 mm optical axis diameter and a 1 m free-cut fibre unit ...



Equipped with a 0.5 mm optical axis, enabling detection of extremely small targets with high accuracy and precision. Features a minimum bend radius of just 2 mm, providing excellent flexibility for routing ...



FU-51TZ, Fast Delivery, Best Price in Town, Guaranteed The Low Price!

Contact Us

For more information, pricing, or custom energy solutions, please contact us:

Website: <https://gdroofing.co.za>

Email: sales@gdroofing.co.za

Phone: +27 72 418 9365

Address: 22 Electron Avenue, Isando, Johannesburg, 1600, South Africa

This document is for informational purposes only. Specifications subject to change without notice.

