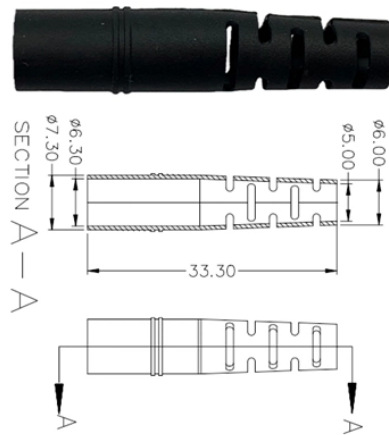


Hospital-grade low-temperature resistant hybrid optical cable OEM



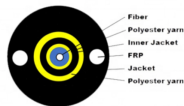
Hospital-grade low-temperature resistant hybrid optical cable OEM



Combining 16 multimode fiber channels with two power contacts and a ground contact, hybridMED facilitates both data and power transmission through a single, robust interface, making it a reliable ...



Nemal's 4K healthcare interconnect solutions are designed specifically for hospital environments, supporting reliable signal performance across complex routing paths, repeated cleaning cycles, and ...



Custom manufacturer of coiled cables for communication, computer & medical cabling applications. Cable insulation materials include polypropylene, nylon, FEP, PVC, & TPE.



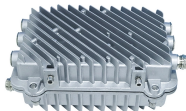
Support your device's mobility skills using super flexible custom round cables. Our HPF flat cables perform at extremely tight bend radius & can withstand up to 150 million flex cycles. Prevent cable ...



We offer a range of medical-grade Class VI, ISO 10993 Compliant and FDA-approved materials for minimally invasive surgical instruments used in endoscopic, laparoscopic, orthopedic, cardiac, and ...



Linden's RadHard fiber optic cables provide a complete solution where a robust fiber optic link is needed in a harsh, high radiation environment. A wide variety of cable constructions are available to meet ...



Highly efficient and flexible flat cables from HEW produce brilliant results. Extremely bend-resistant designs with several million bending cycles and UL approval ensure above-average reliability and ...



This high performance lensed MTP® breakout cable for permanent and temporary installations for indoor healthcare applications. Standard premium grade A LC's (multimode OM4) guarantee low ...



Nemal's 4K healthcare interconnect solutions are designed specifically for hospital environments, supporting reliable signal performance across complex routing ...



Highly efficient and flexible flat cables from HEW produce brilliant results. ...



PCA-HPMS micro-coax and bundled cable designs ensure low capacitance, high sensitivity, and great impedance control, making them ideal for ultrasound probes, medical imaging systems, diagnostic ...

Contact Us

For more information, pricing, or custom energy solutions, please contact us:

Website: <https://gdroofing.co.za>

Email: sales@gdroofing.co.za

Phone: +27 72 418 9365

Address: 22 Electron Avenue, Isando, Johannesburg, 1600, South Africa

This document is for informational purposes only. Specifications subject to change without notice.

