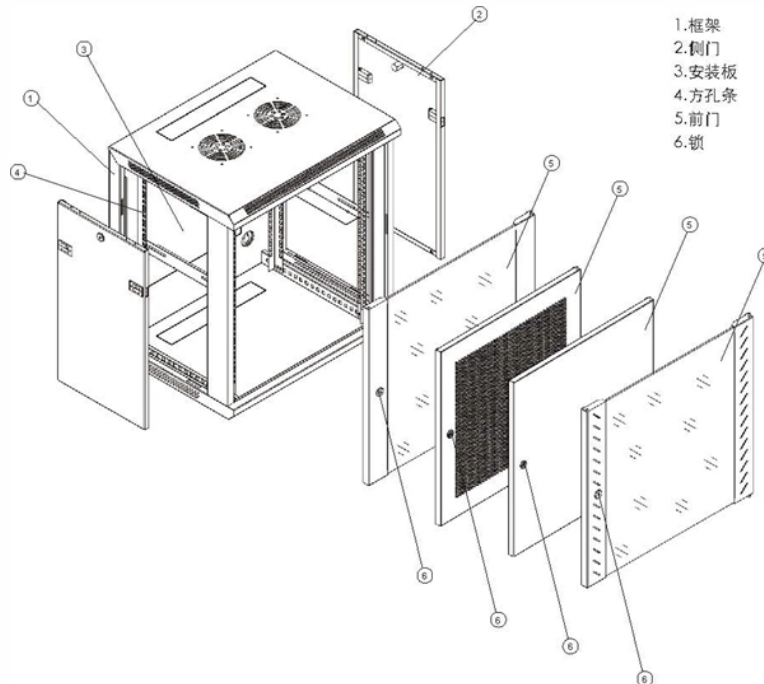


How much distance should the cable tray hanger be



How much distance should the cable tray hanger be



Choose from our selection of cable tray center-mount hangers, including cable and hose trays, steel formable cable and hose trays, and more. Same and Next Day Delivery.



When transporting heavy power to serve a factory, you should have a hanger every 1-5 meters. In case you only have light internet wires, you may spread them to 3 meters.



Explore the essential cable tray support spacing requirements for safe and efficient installations. Learn NEC guidelines for perforated, ladder, and wire mesh trays.



The length between support positions will change depending on the cable design, size, materials and weight. For example, an MDPE sheathed cable will be stiffer and therefore require a greater distance ...



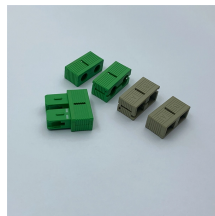
For parallel cable trays at the same height, the distance between them should generally not be less than 0.6 meters (approximately 2 feet). This ensures sufficient space for airflow, ...



It should be mounted far enough off the floor or roof to allow the cables to exit through the bottom of the cable tray. If a strut is used for this purpose, mount the strut directly to the floor or roof and attach the ...



Supports should be located so that connectors (splice joints) between horizontal runs fall between the support point and quarter point of the span. The Support Span should not be greater than the straight ...



Some applications may require the cable tray to support the weight of a single, dead object in addition to the cable loads. Specifications typically require this to be applied at the midpoint of the span between ...



The SWL test representing the hanger bending moment is conducted on a standard length of 800 mm. Force (F) is applied at the end of the hanger and the resulting moment (M) is calculated according to ...



22 inch length profile Patented FAS style attachment secures tray without nuts and bolts Can be used in trapeze for tray widths of 18 inches or wall or under floor applications Pre-Galvanized finish is for ...



Cable tray length is selected based on the load to be supported, the distance between the supports (also referred to as the span), and handling and installation constraints.



A generic guideline developed by the Cable Tray Institute indicates that cable trays should not be filled in excess of 40-50% of the inside area of the tray or of the tray's maximum weight based on the cable ...

Contact Us

For more information, pricing, or custom energy solutions, please contact us:

Website: <https://gdroofing.co.za>

Email: sales@gdroofing.co.za

Phone: +27 72 418 9365

Address: 22 Electron Avenue, Isando, Johannesburg, 1600, South Africa

This document is for informational purposes only. Specifications subject to change without notice.

