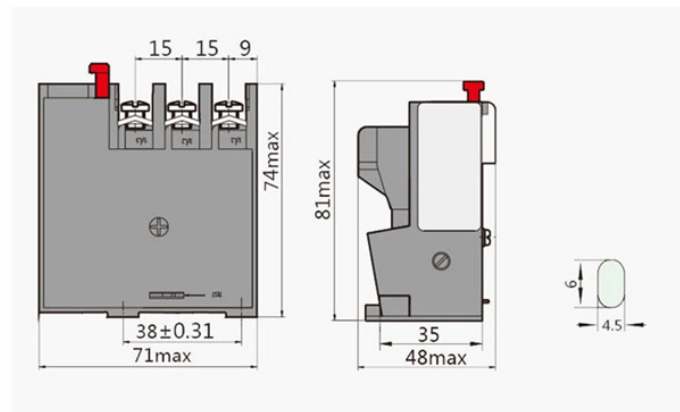


# How much does a meter of 2-core optical fiber cable cost



## Overview

As of the current market trends, the \*\*2 core fiber optic cable price per meter\*\* generally falls between \$0.50, depending on the specifications and intended use. For basic indoor applications using multi-mode fiber, prices can be as low as \$0. Single-mode fibers are generally more expensive due to their ability to transmit data over longer distances. Fiber-optic cable materials typically cost \$1 to \$6 per linear foot, depending on fiber count and cable type. The main price drivers include cable grade, jacket material, pull tension, connectorization, and any required conduit or protection. The following coverage gives a practical price. Single-mode fiber (OS2): This is the industry workhorse. In 2025, the base glass price has stabilized. 10 -. Knowing how much fiber optic cable costs, which factors can impact cost, and key cost considerations can help you avoid unnecessary expense and get the most out of your budget.

## How much does a meter of 2-core optical fiber cable cost



As of the current market trends, the \*\*2 core fiber optic cable price per meter\*\* generally falls between \$0.30 and \$1.50, depending on the specifications and intended use. For basic indoor ...



Main cost drivers include cable grade (indoor vs outdoor, armoured), distance, and labor for trenching, splicing, and termination. This guide presents ranges in USD and practical price ...



Knowing how much fiber optic cable costs, which factors can impact cost, and key cost considerations can help you avoid unnecessary expense and get the most out of your budget. ...



The main cost drivers are cable grade (indoor vs outdoor, riser vs plenum), fiber type (single-mode vs multimode), connectorization, and installation length. This guide presents cost ranges in USD and ...



Searching for how much does fiber optic cable costs? Stop guessing. We break down 2025 prices for OS2, OM3, and Armored cables directly from the Wolontek factory floor.



Typical project ranges for fiber optic cable per meter span from a low of roughly \$0.65 to a high around \$5.00, depending on type, protection, and installation needs. The majority of projects ...



Discover the cost of fiber optic cable in this pricing guide. Learn material prices, installation factors, and what impacts total project costs overall.



This guide outlines the major factors that influence fiber optic cable costs and provides practical tips for estimating pricing in bulk or project-based scenarios.



Whether you need singlemode, armored, or indoor plenum, this guide gives you the exact cost per foot of fiber optic cable — including installation — so you can budget without guesswork.

## Contact Us

For more information, pricing, or custom energy solutions, please contact us:

Website: <https://gdroofing.co.za>

Email: [sales@gdroofing.co.za](mailto:sales@gdroofing.co.za)

Phone: +27 72 418 9365

Address: 22 Electron Avenue, Isando, Johannesburg, 1600, South Africa

This document is for informational purposes only. Specifications subject to change without notice.

