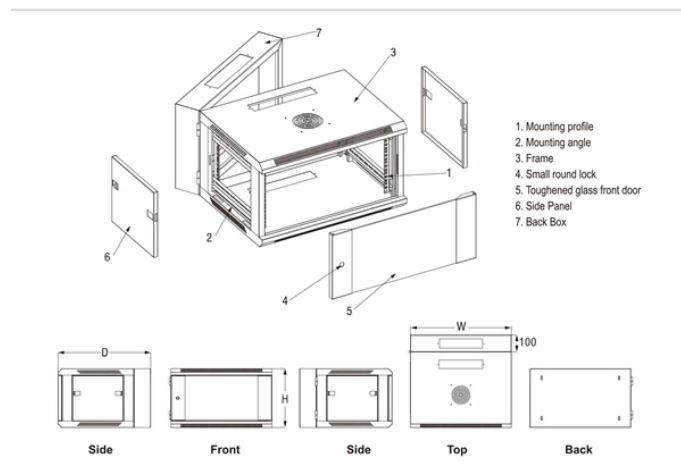


How to connect the China Unicom optical splitter box



Overview

Position the module at a 45° angle inserting the lower edge first, then press firmly inwards until the top tab snaps securely into place. TIP: Fill any unused outlet port with port fillers for safety and finished appearance. Record the configuration of China Unicom Optical Cat TV box. For network connection settings, I don't want to use a router to assign subnets, so I bind two interfaces here: LAN1 and LAN2. WoTV special routers can be connected to set-top boxes and computer terminals through four network ports. What Is a Splitter and Why Cascade Them?

A splitter divides a single input signal into. View & download of more than 188 UNICOM PDF user manuals, service manuals, operating guides. Switch, Media Converter user manuals, operating guides & specifications.

How to connect the China Unicom optical splitter box



Position the module at a 45° angle inserting the lower edge first, then press firmly inwards until the top tab snaps securely into place.



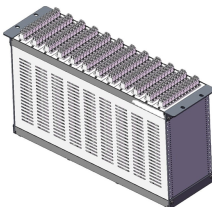
Use an RJ-45 cable to connect the Data In port on the Power over Ethernet Splitter Adapter with the Data Out port of a PoE Hub. If the hub does not support PoE function, you'll need to install a PoE ...



The series connection of multiple elements increases the number of contact pairs. There is also a self-contained button that automatically holds the closed position when pressed, and can be turned on ...



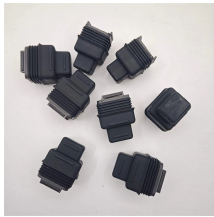
Go to Basic Configuration - WAN, select PPPoE connection, enter the VLAN value (the VLAN value can be found on the installation master's work order), and the broadband Internet access ...



In this guide, we'll explain how to safely connect a splitter to another splitter, covering both fiber optic and coaxial setups.



View & download of more than 188 UNICOM PDF user manuals, service manuals, operating guides. Switch, Media Converter user manuals, operating guides & specifications.



Access to online manuals and documentation for each of your registered products. You can view, search and print this documentation as required.



Summarize Upgrading your home broadband in 2025? don't let a single splitter box hold you back. The 16-way optical fiber distribution box is still the optimal solution for most users due to its high cost ...



Don't worry, today Xiao Bian brings you a set tutorial for China Unicom's IPTV network TV set-top box. There is a need for friends to quickly collect! First, the connection setup overall steps. 1. The ONU ...



For network connection settings, I don't want to use a router to assign subnets, so I bind two interfaces here: LAN1 and LAN2. This allows for full use of bandwidth.

Contact Us

For more information, pricing, or custom energy solutions, please contact us:

Website: <https://gdroofing.co.za>

Email: sales@gdroofing.co.za

Phone: +27 72 418 9365

Address: 22 Electron Avenue, Isando, Johannesburg, 1600, South Africa

This document is for informational purposes only. Specifications subject to change without notice.

