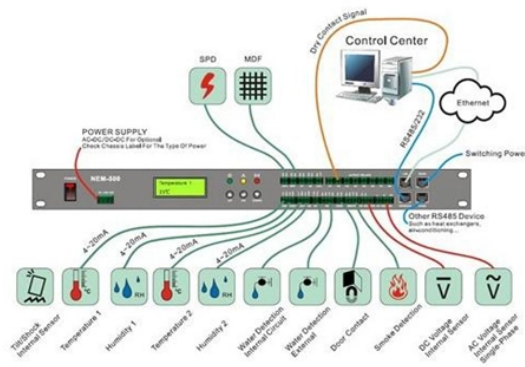


## How to select outdoor optical cable models



## How to select outdoor optical cable models



Use our answers below to help you determine which type of outdoor cable may suit your needs. What fiber count should I choose for my outdoor fiber application? The fiber count you deploy on day one ...



Discover the ultimate guide to selecting the best outdoor fiber optic cable for your needs. Explore our range of durable cables designed for harsh environments!



In this guide, we will provide you with a comprehensive overview of outdoor fiber cable types, their characteristics, and factors to consider when selecting the appropriate cable for your ...



Choose the best outdoor fiber cable for each installation environment. From aerial self-supporting ADSS cables to armored direct buried types and waterproof cables, this guide helps you ...



Choosing the right outdoor fiber optic cable directly affects network uptime, maintenance costs, and scalability. A poor choice can lead to water ingress, attenuation spikes, or cable breaks, ...



Discover the differences, types, and applications of outdoor fiber optic cables in this comprehensive guide. Learn how to select, install, and optimize outdoor fiber optic networks for reliable and ...



Whether you're linking buildings, running broadband in rural areas, or building 5G infrastructure, the right cable matters. It affects performance, maintenance, cost, and reliability.



This article summarizes the major outdoor fiber optic cable types and their distinguishing features. You can identify them with images.



For installations in harsh environments, outdoor armored fiber optic cables provide extra protection, making them ideal for areas prone to physical damage. This article will explore the ...



However, choosing the proper cable can be daunting. This article examines the three most common outdoor fiber constructions: standard indoor/outdoor, ruggedized indoor/outdoor and armored direct ...

## Contact Us

For more information, pricing, or custom energy solutions, please contact us:

Website: <https://gdroofing.co.za>

Email: [sales@gdroofing.co.za](mailto:sales@gdroofing.co.za)

Phone: +27 72 418 9365

Address: 22 Electron Avenue, Isando, Johannesburg, 1600, South Africa

This document is for informational purposes only. Specifications subject to change without notice.

