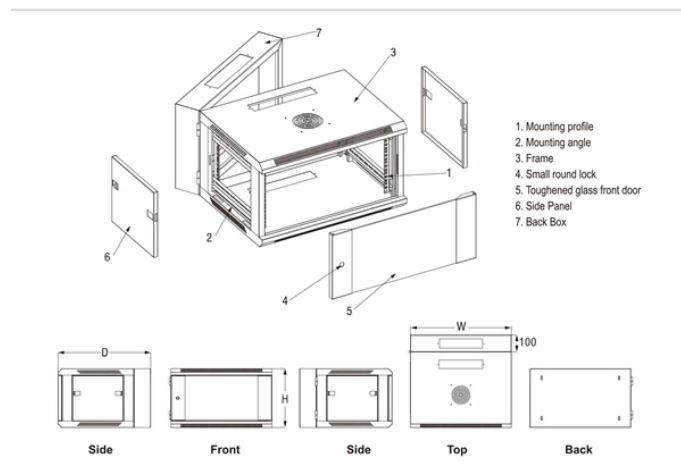


Is it safe to move an outdoor electrical distribution box



Overview

Moving a breaker box without proper permits, inspections, and compliance can result in electrical hazards, fire risks, and code violations. Hiring a licensed electrician will ensure that these requirements are met. Moving an electrical box, whether it is an outlet, switch, or junction box, is a common necessity during home renovation projects. This seemingly simple task involves altering the home's permanent wiring system, a process that demands meticulous planning and strict adherence to electrical. Relocating a utility box on your property is a manageable task, but it involves a formal process with the responsible utility company. Understanding the steps involved. While this type of electrical box is convenient to have and generally safe, misuse can result in severe injury. The experts at Electrical Express Services are here to help you learn more about how to stay safe if your home has an exterior electrical box.



Is it safe to move an outdoor electrical distribution box



Relocate electrical boxes safely and legally. Expert guide covering required planning, code adherence, and wire management techniques.



Moving a breaker box without proper permits, inspections, and compliance can result in electrical hazards, fire risks, and code violations. Hiring a licensed electrician will ensure that these ...



When moving an electrical panel box, there are four areas listed by National Electrical Code (NEC) at 240.42 (C,D,E,F) where a panel cannot be located: 1) Where exposed to physical ...



A detailed guide on electrical panel relocation: step-by-step process, cost factors, legal requirements, and pitfalls to avoid for a safe, compliant move.



Outdoor electrical junction boxes require periodic inspection and minimal maintenance to ensure continued ...



Attempting to move a breaker box or panel box yourself is extremely dangerous. We don't recommend doing the job yourself unless you have electrical experience and the proper tools.



Outdoor electrical junction boxes require periodic inspection and minimal maintenance to ensure continued weatherproof protection and safe operation. Annually (or after severe weather ...



Discover if you can install a breaker box outdoors and learn about safety, regulations, and expert advice to protect your electrical system from hazards.



You may be able to install an outdoor electrical box yourself. However, it's not recommended because you risk starting a fire or suffering a serious injury like an electrical shock. It's ...



A utility box can often be moved, but it's a homeowner-led process. This guide explains the necessary coordination with your provider for a successful relocation.



While it's possible to install an outdoor electrical box yourself, it's not recommended due to the potential risk of injury or fire. Hiring a licensed electrician ensures the installation is done safely and meets all ...

Contact Us

For more information, pricing, or custom energy solutions, please contact us:

Website: <https://gdroofing.co.za>

Email: sales@gdroofing.co.za

Phone: +27 72 418 9365

Address: 22 Electron Avenue, Isando, Johannesburg, 1600, South Africa

This document is for informational purposes only. Specifications subject to change without notice.

