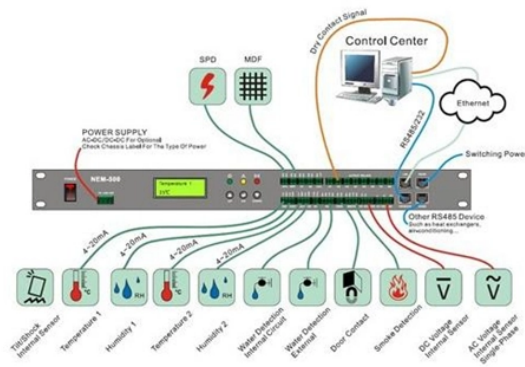


Length of trough-type cable tray



Length of trough-type cable tray



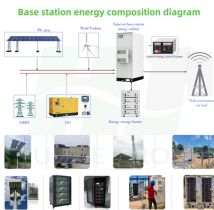
Trough tray can be cut to length with a reciprocating saw fitted with a fine metal cutting blade. Mark three sides of the tray using a square and make allowances to keep mounting hole slots in position for ...



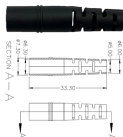
2.3 Husky Trough type tray straight sections shall be 10 -0, 12 -0, 20 -0, 24 -0, or 30 -0 long and shall be of the width indicated on the drawings to provide the planned cable capacity.



Trough cable tray is generally used for moderate heat generating applications with short to intermediate support spans of 5 feet to 12 feet.



Refers to the approximate height of a cable tray used for specifying. Selecting a specific height will show cable trays with that height, as well as cable tray accessories compatible with that height.



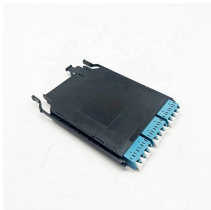
We will first explain standard cable tray dimensions used across the industry, then examine how dimensions vary by tray type, and finally show how to calculate and select the correct ...



The actual cable load is determined by calculating the weight per unit length of each cable type multiplied by the total installed length within each tray span.



The design and cost of the cable tray is greatly affected by this designation. In order to determine the most appropriate and economical system, a class should be selected that reflects the actual total ...



For ladder or ventilated trough trays, the total sum of the cross-sectional areas of all the cables to be installed in the cable tray must be equal to or less than the allowable cable area for the tray width, as ...



We will first explain standard cable tray dimensions used across the industry, then examine how dimensions vary by tray type, and finally show how to ...



If it has excellent electrical continuity and is integrated in the installation's equipotential bonding system, a metal cable tray reduces the coupling's impact and thus contributes to good EMC of the electrical ...



Cable tray length is selected based on the load to be supported, the distance between the supports (also referred to as the span), and handling and installation constraints.

Contact Us

For more information, pricing, or custom energy solutions, please contact us:

Website: <https://gdroofing.co.za>

Email: sales@gdroofing.co.za

Phone: +27 72 418 9365

Address: 22 Electron Avenue, Isando, Johannesburg, 1600, South Africa

This document is for informational purposes only. Specifications subject to change without notice.

