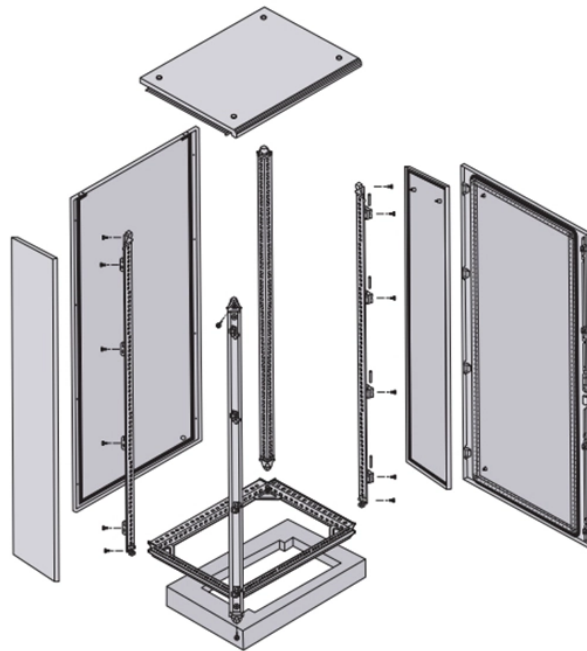


Relay Protection Operation Revenue Analysis Table



Overview

This report aims to provide a comprehensive presentation of the global market for Protection Relays, focusing on the total sales volume, sales revenue, price, key companies market share and ranking, together with an analysis of Protection Relays by region &. This report aims to provide a comprehensive presentation of the global market for Protection Relays, focusing on the total sales volume, sales revenue, price, key companies market share and ranking, together with an analysis of Protection Relays by region &. The global Protective Relay Market size was valued at USD 2.8 billion in 2024 and to reach USD 3. The global market for protective relay is experiencing significant growth, driven by several key factors. Segments- Product Type Outlook (Electromechanical Relays, Static Relays, Digital Relays), Application Outlook (Power Generation, Transmission, Distribution, Industrial), End-Use Outlook (Utilities, Industrial, Commercial) Preview the depth and quality of our market insights. Protective relays are essential components of modern power systems. The global market for Protection Relays was estimated to be worth US\$ million in 2024 and is forecast to a readjusted size of US\$ million by 2031 with a CAGR of %during the forecast period 2025-2031. As significant

investments are channeled into infrastructure projects across various regions, there is a concurrent.

Relay Protection Operation Revenue Analysis Table



Market revenue growth is driven by several factors, including the growing emphasis on safety standards and regulations, technological advancements in relay systems, and the increasing ...



Get actionable insights on the Protection Relays Market, projected to rise from USD 1.5 billion in 2024 to USD 2.8 billion by 2033 at a CAGR of 7.5%. The analysis highlights significant trends, growth ...



The protective relay is an important component of the circuit protection system because it ensures that an electrical circuit operates safely. The magnitude of a quantity like current or power may cause a ...



As industries electrify their operations and integrate on-site renewables, demand for modular, high-speed protection relays — especially with motor and transformer fault detection — is increasing rapidly.



The protective relay industry faces acute shortages of qualified engineers and technicians capable of designing, installing, and maintaining modern digital protection systems.



It involves analysing market structure, identifying industry trends, and assessing macroeconomic factors through revenue share analysis of major players. Relevant data is collected from both paid and ...



Continuous advancements in protective relay technologies, such as the development of digital, microprocessor-based, and numerical relays, are driving market growth.



The protection relay market is characterised by the presence of well-established, financially stable companies with significant experience in producing protective relays and related components.



This report forecasts revenue growth at global, regional, and country levels and provides an analysis of the latest industry trends in each of the sub-segments from 2017 to 2030.



This report aims to provide a comprehensive presentation of the global market for Protection Relays, focusing on the total sales volume, sales revenue, price, key companies market share and ranking, ...

Contact Us

For more information, pricing, or custom energy solutions, please contact us:

Website: <https://gdroofing.co.za>

Email: sales@gdroofing.co.za

Phone: +27 72 418 9365

Address: 22 Electron Avenue, Isando, Johannesburg, 1600, South Africa

This document is for informational purposes only. Specifications subject to change without notice.

