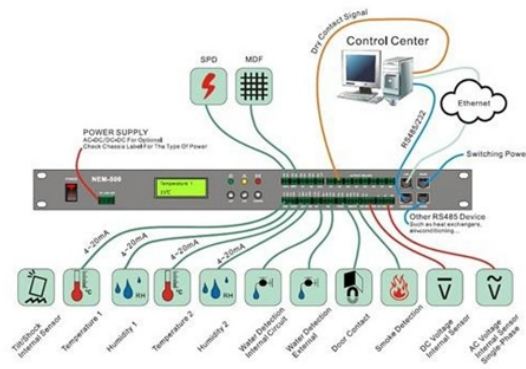


GDR Telecom Site Energy Systems

Socket and cable tray diagram



Socket and cable tray diagram



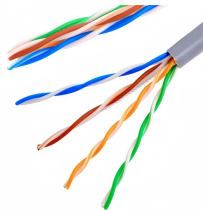
Cable tray length is selected based on the load to be supported, the distance between the supports (also referred to as the span), and handling and installation constraints.



Hubbell's NEXTFRAME® Ladder Tray is the effective and widely used cable runway that supports and delivers bundles of cable between cabinets, racks, and closets, along walls, and suspended from ...



Download Snake Tray drawings detailing our innovative cable trays, cable management, and power distribution solutions. We sweat the details!



The document outlines specifications for various joint plates and connectors used in cable tray installations, including dimensions and quantities for each component.



These DWG files provide a full range of electrical system installation details, including cable tray supports, power outlets, isolator switch configurations, fuel tank arrangements, fire alarm installation, ...



When fitting cable trays and their accessories, the products are cut on site to create changes of direction, adjust sections, etc. Damage can also occur during handling; as a result, both the ...



CRFB Series Location 2 1.60" Device Plate - CRFB-SR2-2



Cable trays simplify the wiring system design process and reduces the number of details. Cable tray wiring systems are well suited for computer aided design drawings. A spread sheet based wiring ...



Download a comprehensive set of Cable Tray Installation CAD Blocks in DWG format, ideal for electrical engineers, MEP designers, and industrial layout planners.



Learn about effective Cable Tray Design and Layout for electrical systems. Our guide covers planning, material choice, safety, and maintenance.

Contact Us

For more information, pricing, or custom energy solutions, please contact us:

Website: <https://gdroofing.co.za>

Email: sales@gdroofing.co.za

Phone: +27 72 418 9365

Address: 22 Electron Avenue, Isando, Johannesburg, 1600, South Africa

This document is for informational purposes only. Specifications subject to change without notice.

