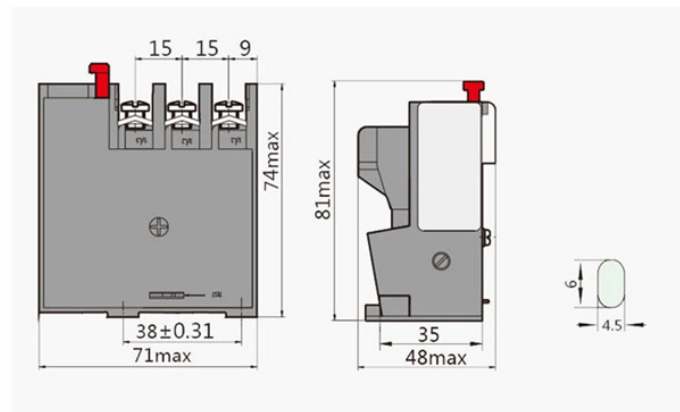


South Korean workers splicing fiber optic cables



Overview

Your single source for fiber design, installation, repair, testing, emergency restoration and project management. With 70 years of combined experience in the fiber industry, our technicians are trained with the "best industry practices" and equipped with the latest and most. including the 2018 Africa Coast to Europe (ACE) cable blackout that affected West Africa¹ and a series of suspected attacks in 2024 involving Taiwan, Saudi Arabia, and parts of Europe²—have exposed the extent to which global connectivity hinges on the integrity of undersea cables and their. Submarine cables are laid using special cable layer ships, such as the modern René Descartes, operated by Orange Marine. A submarine communications cable is a cable laid on the seabed between land-based stations to carry telecommunication signals across stretches of ocean and sea. The first. Alibaba. com: Swift KF4A 5-in-1 Korean fusion splicer for FTTH SOC; CE, BV, ISO certified fiber splicing machine for reliable field installations.

South Korean workers splicing fiber optic cables



The Fiber Optic Splicing Playbook v3.5 provides field technicians and managers with standardized procedures for FTTH builds, PPE readiness, splice enclosure selection, waste management, and ...



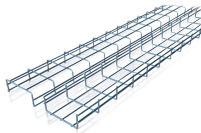
The document outlines a job safety analysis for fiber splicing work being conducted at an exact location of PKE GULF W.L.L. Hazards identified include slip, trip, and fall hazards, COVID-19 transmission, ...



These early cables used copper wires in their cores, but modern cables use optical fiber technology to carry digital data, which includes telephone, internet and private data traffic.



South Korea's fiber optic cable manufacturers are at the forefront of global telecommunications technology, offering high-quality, innovative products that power modern ...



Experienced, full-service fiber optic contractor specializing in installation, structured cabling systems, fiber splicing, & more.



With over 30 years of combined experienced in installation, termination, and testing fiber optic, copper and coaxial cables for both ISP and OSP applications. Must be willing to travel to jobs in Lower ...



With remaining opportunities to bring new global actors into the fold, South Korea can leverage its expertise as one of the world's leading fiber-optic cable suppliers to suggest changes to international ...



The South Korea Fiber Optic Fusion Splicing Service Market is experiencing significant growth driven by increasing demand for high-speed internet, advancements in telecommunications...



With the SWIFT KF4A, you can achieve seamless fiber optic connections, ensuring high-speed data transmission in your network installations. Its user-friendly design and advanced features make it a ...



With 70 years of combined experience in the fiber industry, our technicians are trained with the "best industry practices" and equipped with the latest and most advanced equipment.

Contact Us

For more information, pricing, or custom energy solutions, please contact us:

Website: <https://gdroofing.co.za>

Email: sales@gdroofing.co.za

Phone: +27 72 418 9365

Address: 22 Electron Avenue, Isando, Johannesburg, 1600, South Africa

This document is for informational purposes only. Specifications subject to change without notice.

