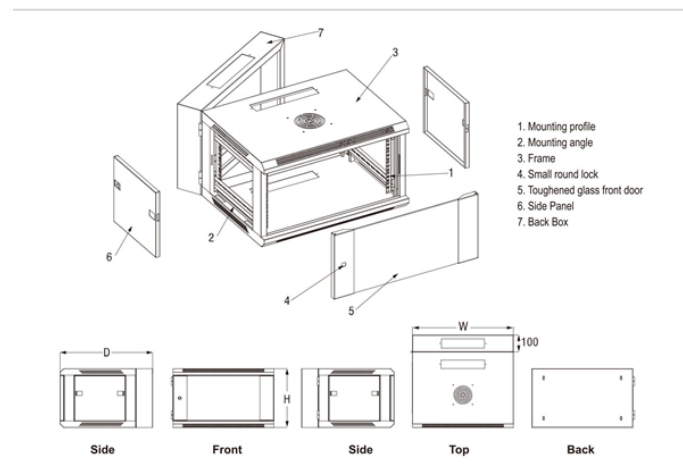


The terminal distribution box is the final distribution box

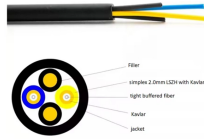


Overview

A fiber terminal box, also known as a fiber distribution box, is a device used in fiber-optic communication networks to terminate, splice, and distribute optical fibers. It is a small enclosure that can house and protect the fiber optic cables, splices, and connectors. It provides a secure and organized environment for the fiber optic connectors and splices, ensuring the integrity and. A Fiber Optic Termination Box is a small enclosure located at the terminal end of the fiber where it enters your customer premises. What is a Fiber Termination Box in Optical Networks?

In a passive.

The terminal distribution box is the final distribution box



A distribution box is intended to aggregate and redistribute fibers within a structured cabling layer. It assumes upstream and downstream organization, labeling, and managed patching as part of a ...



What is a Fiber Termination Box in Optical Networks? In a passive optical network (PON), the fiber termination box acts as the final access point in the optical distribution network ...



A terminal box is responsible for providing a secure and organized environment for electrical connections, while a distribution box is responsible for controlling and managing the flow of ...



A Fiber Optic Termination Box is a small enclosure located at the terminal end of the fiber where it enters your customer premises. Its function is primarily to splice, secure, and protect the ...



This article delves into the key differences between a terminal box and a distribution box, providing an in-depth understanding of their functions, applications, and importance in...



The fiber optic terminal box contains the fiber optic cable terminal, fiber fusion splicing or mechanical splicing protection unit. A cassette optical splitter is usually installed in the termination ...



Many people think distribution boards and distribution boxes are the same, but they're not. They may sound similar, but they have different roles in electrical systems. Knowing the ...



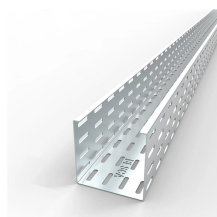
This article delves into the key differences between a terminal box and a distribution box, providing an in-depth understanding of their functions, ...



The optical fiber terminal box can be used to distribute and connect various optical fiber systems, particularly the distribution of the micro-grid terminal connecting the optical cable and the jumper core.



FAQs About Fiber Optic Termination Boxes What is the difference between a fiber termination box and a fiber distribution box? This is one of the most common questions in access network design. Can fiber ...



A fiber terminal box, also known as a fiber distribution box, is a device used in fiber-optic communication networks to terminate, splice, and distribute optical fibers. It is a small enclosure that ...

Contact Us

For more information, pricing, or custom energy solutions, please contact us:

Website: <https://gdroofing.co.za>

Email: sales@gdroofing.co.za

Phone: +27 72 418 9365

Address: 22 Electron Avenue, Isando, Johannesburg, 1600, South Africa

This document is for informational purposes only. Specifications subject to change without notice.

