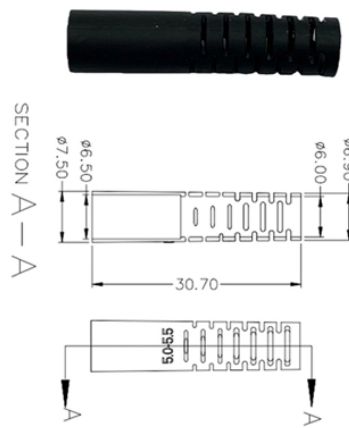


What kind of work is laying cable trays on a construction site



Overview

Cable Tray Installation is the process of installing a structural system to securely fasten and support cables and raceways. It involves calculating angles and bends as well as measuring and cutting cable trays prior to overhead installation. The primary responsibilities of a cable tray installation electrician include planning the cable route in accordance with the project requirements. Tool Required: On receipt of the cable tray, trunking, cable ladder and accessories at site necessary precautions shall be taken. Below is the detailed cable tray installation method statement not only for cable tray but also applicable for GI ladder and trunking for indoor and outdoor applications and in service rooms like pump rooms, electrical rooms and plant rooms etc. This method was prepared in reference to scope of work as guideline for effective.

What kind of work is laying cable trays on a construction site



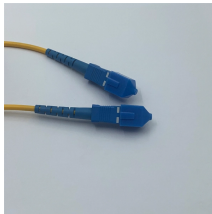
The purpose of this article is to define the sequence and methodology for the installation of electrical cable trays, cable trunking, cable raceways and boxes, junction and pull boxes.



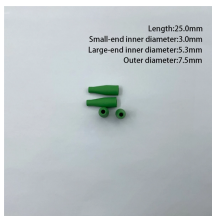
Cable Tray Installation is the process of installing a structural system to securely fasten and support cables and raceways. It involves calculating angles and bends as well as measuring and cutting ...



This method statement covers the site installation of the cable tray & ladders and the requirements of checks to be carried out.



Below is a complete Method Statement For Installation of Cable Tray, Trunking, & Cable Ladders in compliance with project specifications and approved material submittals.



This document provides a method statement for installing cable trays or trunking. It outlines responsibilities for the project manager, construction manager, site engineer, QA/QC inspector, HSE ...



Installation of cable routes is one of the basic elements of the electrification project. An electrician who installs cable routes has a key role in building and maintaining electrical infrastructure. Its main task ...



a) Issued for construction drawing and lay-out will be made readily available for reference on the installation of cable tray system. b) Cable trays are used for the support of single conductor ...



- Double insulation is to be provided on the cables and proper cable management is to be ensured.
- All the work shall be carried on under supervision.
- The area shall be properly ...



Below is the detailed cable tray installation method statement not only for cable tray but also applicable for GI ladder and trunking for indoor and outdoor applications and in service rooms like pump rooms, ...



1.0 This method statement will serve as a minimum guideline to carry out the Cable Tray Installation activities for commercial buildings, plants and refineries in accordance with Project Drawings and ...

Contact Us

For more information, pricing, or custom energy solutions, please contact us:

Website: <https://gdroofing.co.za>

Email: sales@gdroofing.co.za

Phone: +27 72 418 9365

Address: 22 Electron Avenue, Isando, Johannesburg, 1600, South Africa

This document is for informational purposes only. Specifications subject to change without notice.

